

S7481601, S7481602, S7481616, S7481649 - Roman Tub Filler With Hand Shower

Description

- TAZIO roman tub filler
- Diverter built into spout
- With pullout hand shower
- Replaceable ceramic disc cartridges
- 90° Turn lever handles
- 3/4" NPSM connections
- 18 GPM @ 60 PSI
- 1.5 GPM Hand shower



• S7481601

- Complies with IAPMO UPC/cUPC ADA Accessibility Guidelines for Buildings and Facilities - 4.27.4 Controls and Mechanisms

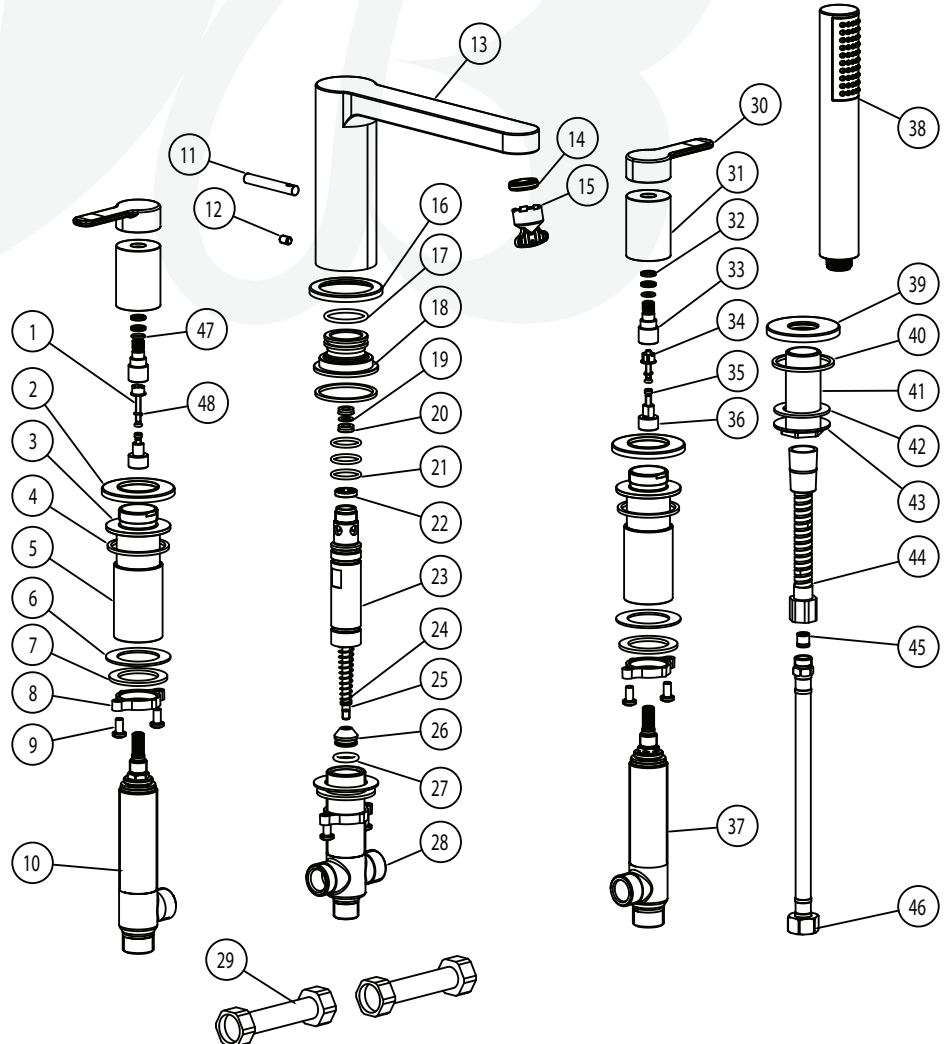


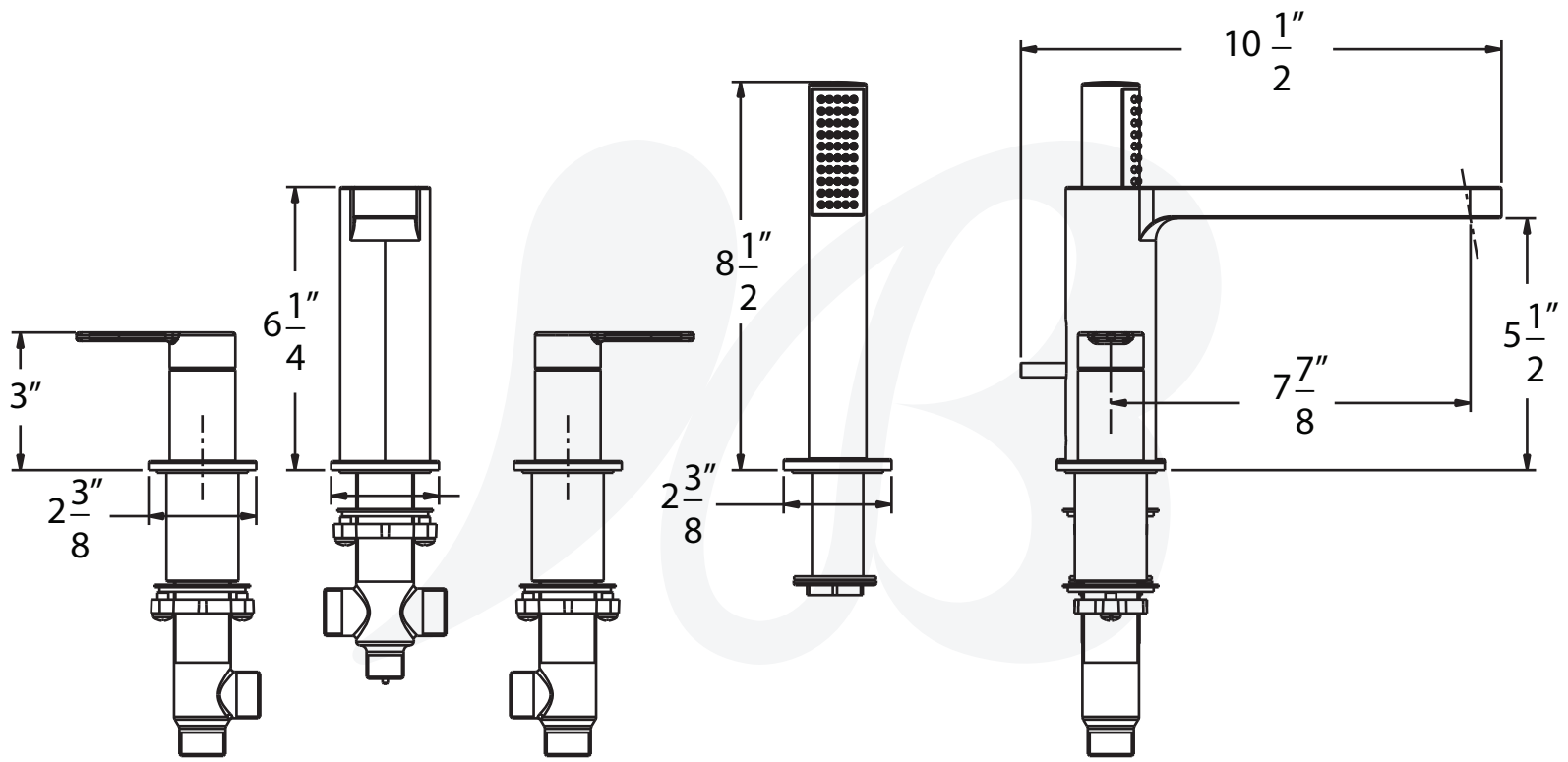
Colors / Finishes

- S7481601** Chrome
- S7481602** PVD Satin Nickel
- S7481616** PVD Satin Brass
- S7481649** Matte Black

BREAK DOWN
Component Parts List

48	CTWT0010	2
47	CTRR0213	2
46	ATBP0071	1
45	ATBA0100	1
44	ATBP0070	1
43	CTNB0016	1
42	CTWR0061	1
41	CTPB0499	1
40	CTWP0339	1
39	CTDB0697	1
38	ATBE0121	1
37	ATBA3006-XD	1
36	CTMB0977	2
35	CTST0254	2
34	CTCP0667	2
33	CTMB0988	2
32	CTWP0208	4
31	CTCZ0315	2
30	CTHZ0755	2
29	ATBP0013	2
28	CTPB0677	1
27	CTRR0280	1
26	CTDB0689	1
25	CTMT0067	1
24	CTBT0070	1
23	CTPB0679	1
22	CTRP0108	1
21	CTRR0166	3
20	CTRR0138	2
19	CTWB0089	1
18	CTDB0695	1
17	CTRR0137	1
16	CTDZ0184	1
15	CTQP0056	1
14	ATBX0079	1
13	CTFB0302	1
12	CTST0137	1
11	CTMB0588	1
10	ATBA3006-XR	1
9	CTST0101	6
8	CTNB0364	3
7	CTWT0053	3
6	CTWR0115	3
5	CTCP0617	2
4	CTWP0339	3
3	CTDB0694	2
2	CTDZ0185	1
1	CTST0050	1
NO.	PART NO.	QTY





Item Number	Type	Date
S7481601, S7481602, S7481616, S7481649	Roman Tub Filler	8-23-2021