

P6383501, P6383502, P6383516, P6383549 - Sevaun Tub and Shower Trim

Description

SEVAUN TUB & SHOWER TRIM

- Easy to turn lever handle
- 6" Face shower head
- Square style face plate
- 1.5 GPM shower head

This tub & shower package includes:

- Shower arm
 - Shower head
 - Valve trim
 - Tub Spout
- VALVE SOLD SEPARATELY



• P6383502

Standards

- Complies with IAPMO UPC/cUPC
- ADA Accessibility Guidelines for Buildings and Facilities - 427.4 Controlled Mechanisms



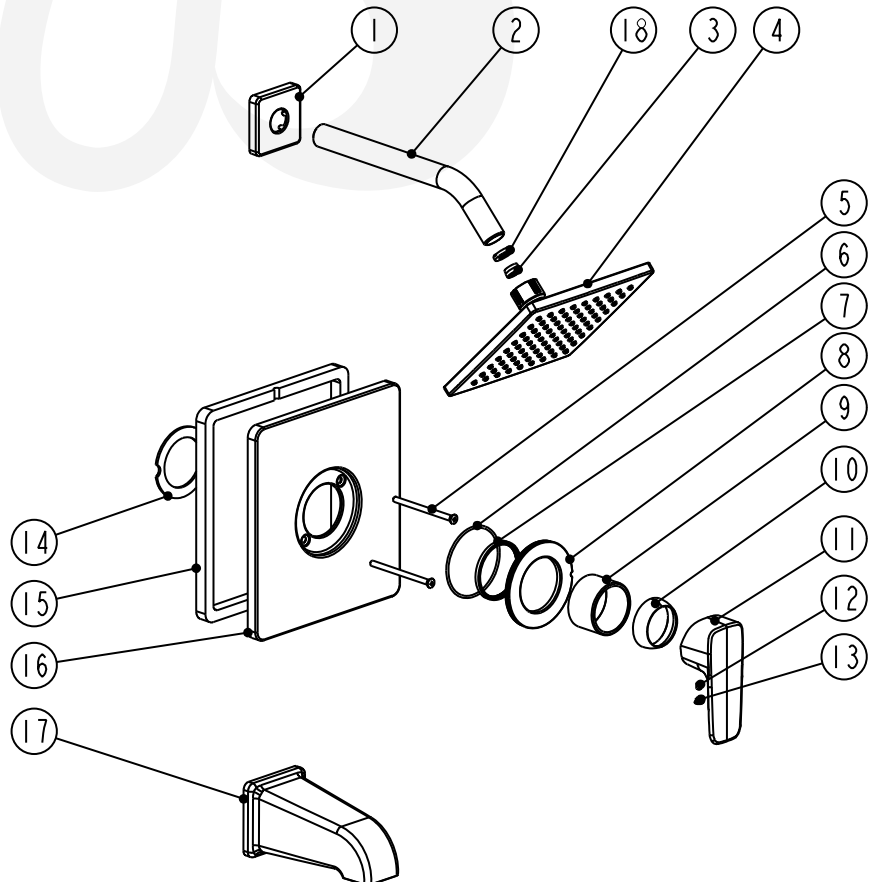
Colors / Finishes

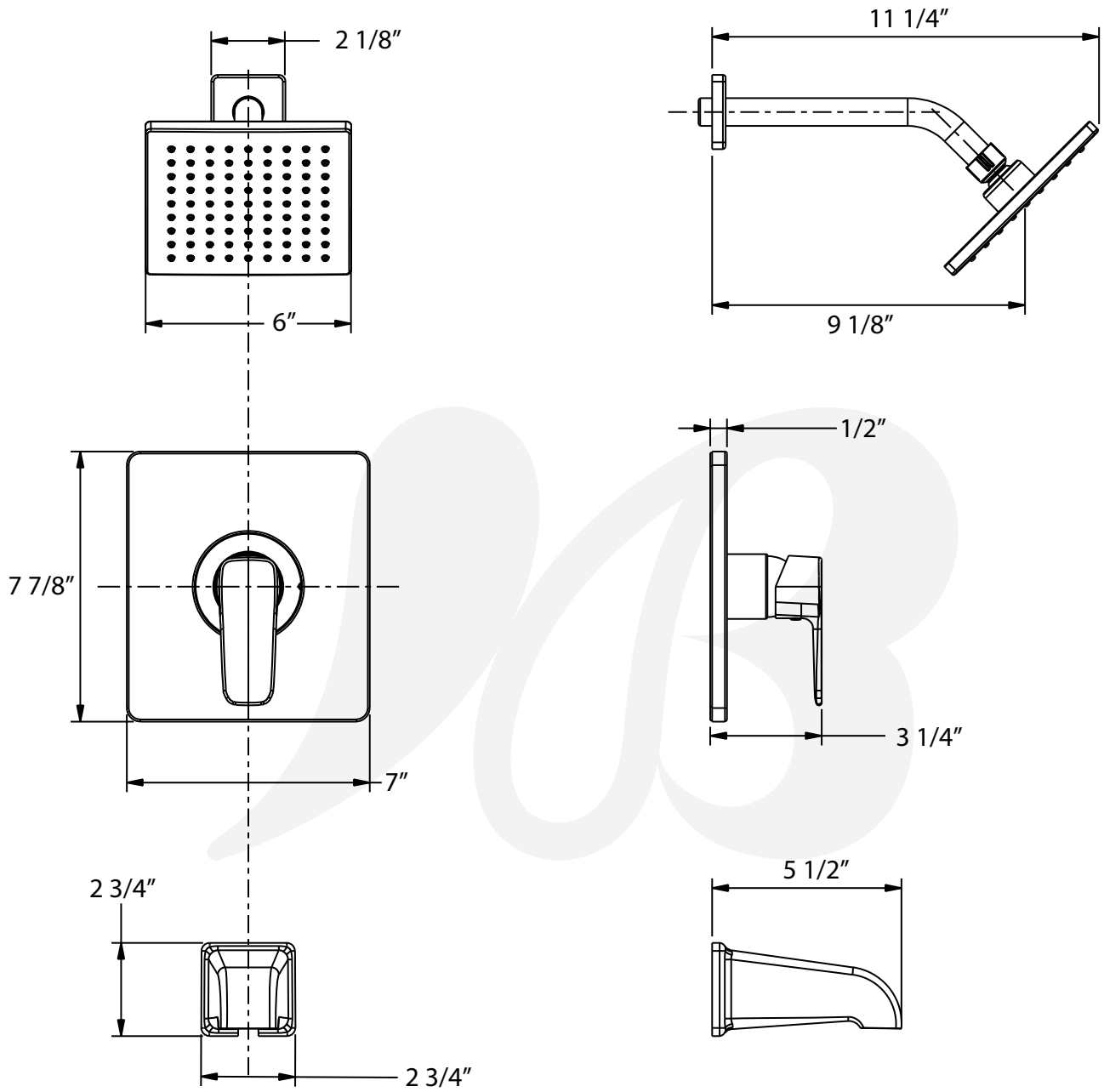
- P6383501** Chrome
- P6383502** PVD Satin Nickel
- P6383516** PVD Satin Brass
- P6383549** Matte Black

BREAK DOWN

Component Parts List

NO.	Drawing No.	Part Description	Quantity
18	CTWR0430	WASHER	1
17	CTFZ0019	SPOUT	1
16	CTCT0098	FACE PLATE	1
15	CTWP0266	SEAL	1
14	CTWP0223	PLATE	1
13	CTCP0072	CAP	1
12	CTST0117	SCREW	1
11	CTHZ0797	HANDLE	1
10	CTCP0679	COVER	1
9	CTCB0670	CAP	1
8	CTCP0678	CAP	1
7	CTRR0123	BUTTON	1
6	CTRR0113	O-RING	1
5	CTST0230	SET SCREW	2
4	ATBE0198	SHOWER	1
3	ATBA0360	RESTRICTOR	1
2	CTPT0051	SHOWER ARM	1
1	CTCT0112	FLANGE	1





Item Number	Type	Date
P6383501, P6383502, P6383516, P6383549	Tub and Shower Trim	2/27/2023